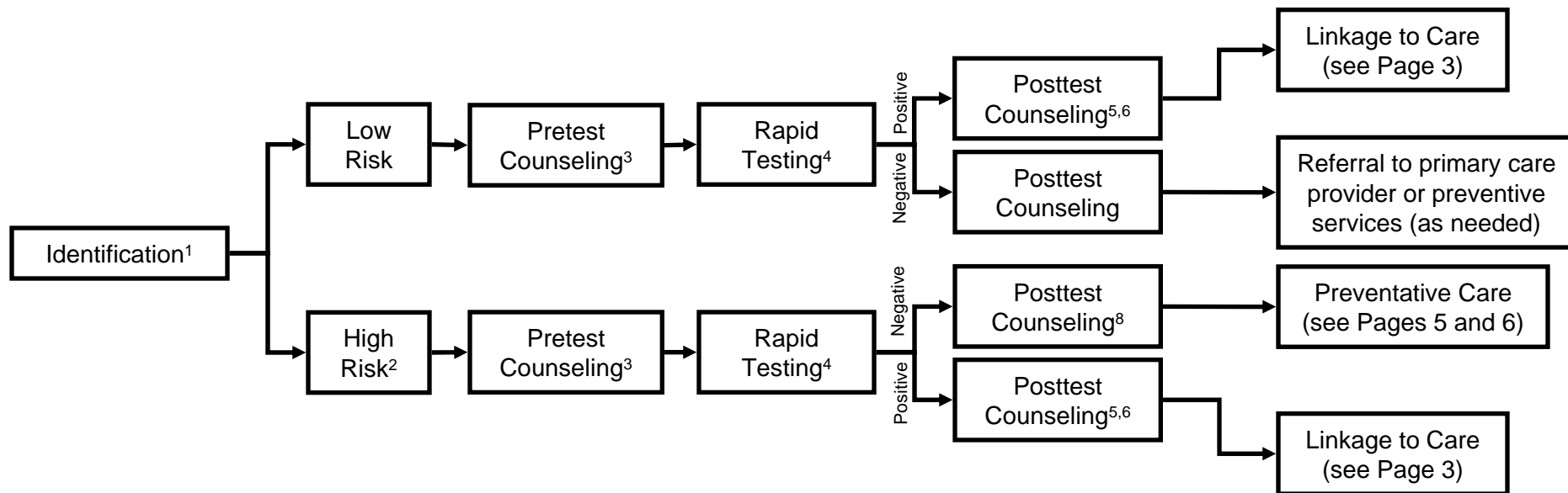


Improving Identification of Patients Infected with HIV Using Rapid Testing in the Emergency Department: A Systems-Based Approach

Denver Emergency Department Rapid HIV Testing Study Group

Emergency Department: TARGETED



¹Identification in the emergency department based on current Centers for Disease Control and Prevention Guidelines and implemented screening instruments.

²Men who have sex with men (MSM), injection drug use, high-risk sexual behavior.

³Designated counselors will provide pretest and posttest counseling to those patients identified for rapid HIV testing in the emergency department. Staffing options include: (1) full-time on-site; (2) full-time off-site; (3) part-time on-site; (4) part-time off-site; or (5) a combination of (1) through (4). Current: Part-time on-site.

⁴OraQuick® ADVANCE™ Rapid HIV-1/2 Antibody Test performed by the hospital laboratory.

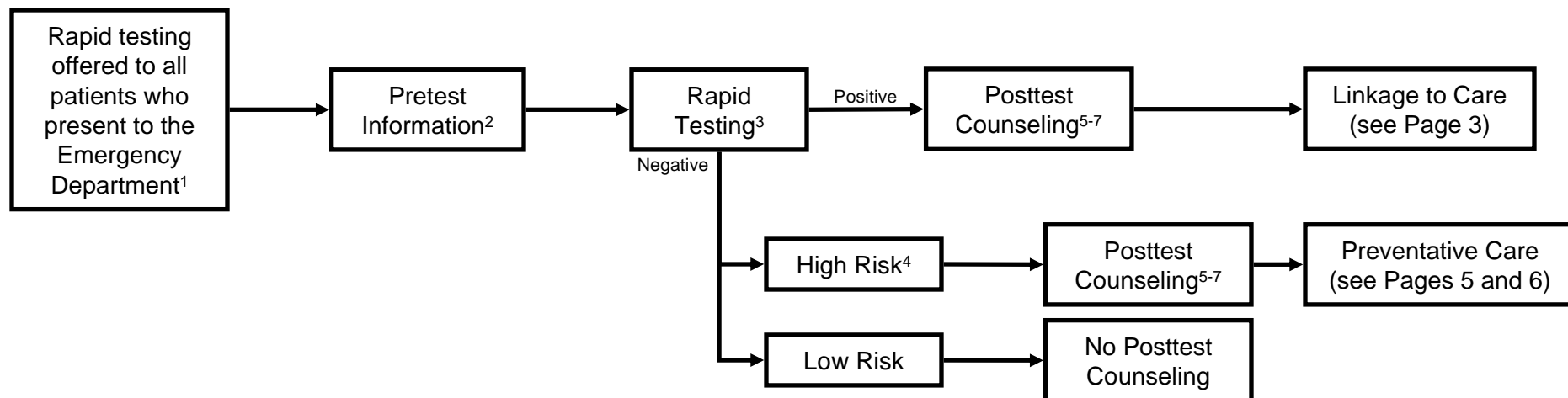
⁵To include follow-up for confirmation of positive rapid test.

⁶To include risk-reduction counseling.

Improving Identification of Patients Infected with HIV Using Rapid Testing in the Emergency Department: A Systems-Based Approach

Denver Emergency Department Rapid HIV Testing Study Group

Emergency Department: OPT-OUT



¹Consent performed using opt-out language incorporated into general medical consent. Those: (1) <16 years; (2) unable to consent; (3) prisoners or detainees; (4) victims of sexual assault; (5) known to be infected with HIV; and (6) occupational exposures are excluded.

²Pretest informational sheet provided to ALL patients.

³Multiple Rapid Testing Algorithm* using: (1) Uni-Gold™ Rapid HIV Test (Trinity Biotech); (2) OraQuick® ADVANCE™ Rapid HIV-1/2 Antibody Test (OraSure Technologies); and (3) Multispot HIV-1/HIV-2 Rapid Test (Bio-Rad) performed by the hospital laboratory (*Still in evaluation and requires confirmatory testing).

⁴For those patients considered at highest risk for acquiring HIV infection.

⁵Designated counselors will provide posttest counseling to those patients who test preliminarily positive or those considered high-risk but test negative for HIV infection. Staffing options include: (1) full-time on-site; (2) full-time off-site; (3) part-time on-site; (4) part-time off-site; or (5) a combination of (1) through (4). Current: Part-time on-site.

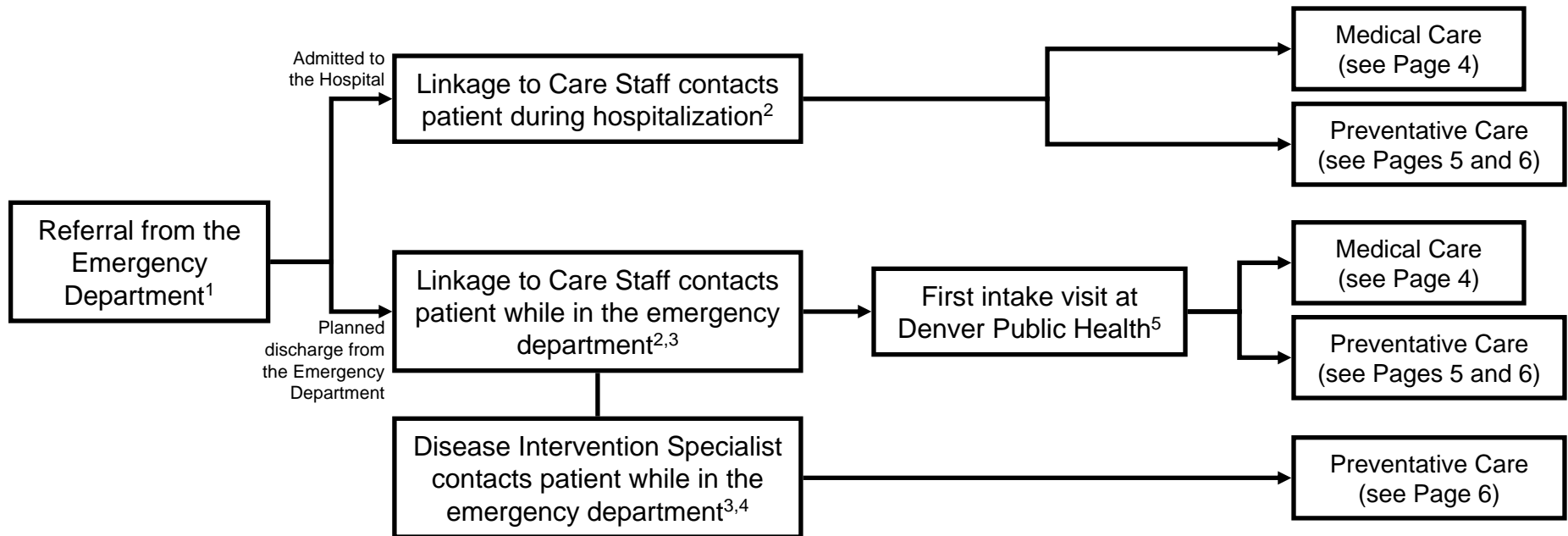
⁶To include follow-up for confirmation of positive rapid test(s).

⁷To include risk-reduction counseling.

Improving Identification of Patients Infected with HIV Using Rapid Testing in the Emergency Department: A Systems-Based Approach

Denver Emergency Department Rapid HIV Testing Study Group

Linkage to Care



¹Referrals made during posttest counseling for those who test positive for HIV in the emergency department.

²Linkage to Care Staff includes dedicated HIV counselors from Denver Public Health.

³During business hours, patients are discharged directly to Denver Public Health. During non-business hours, referral is made for the following business day.

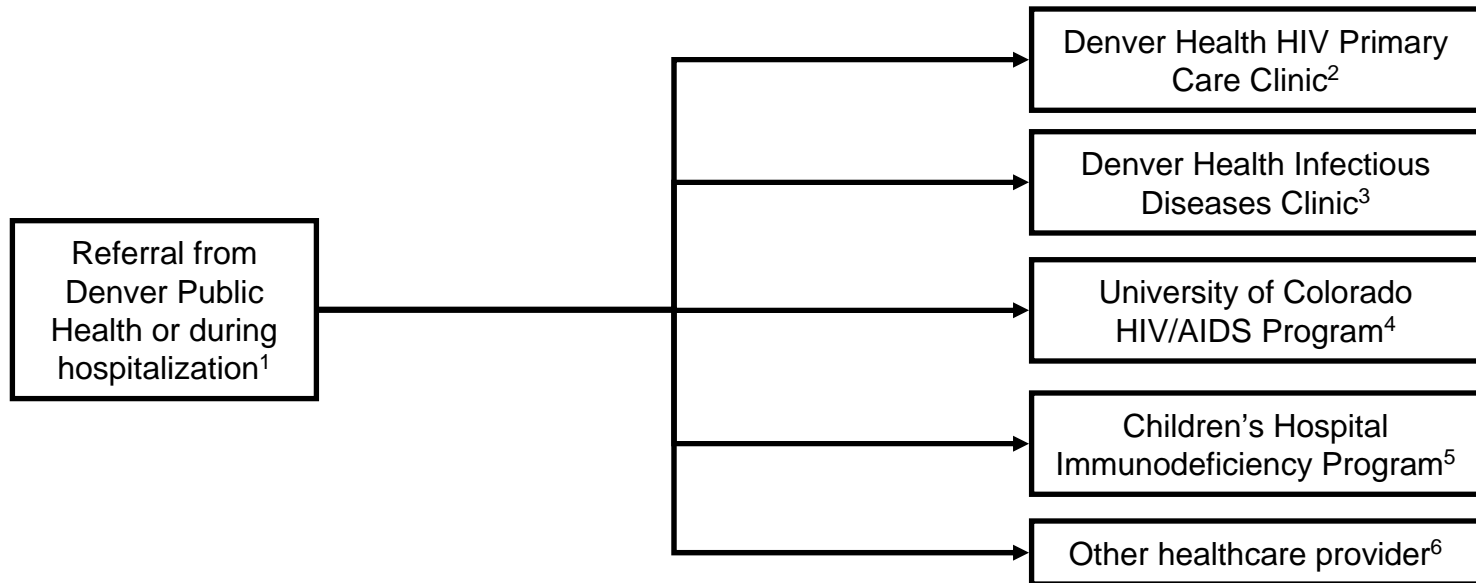
⁴Disease Intervention Specialists include dedicated HIV counselors from the Colorado Department of Public Health and Environment.

⁵This visit includes the following components: (1) provision of information and counseling; (2) confirmatory HIV testing; and (3) linkage to specialty medical and preventative care.

Improving Identification of Patients Infected with HIV Using Rapid Testing in the Emergency Department: A Systems-Based Approach

Denver Emergency Department Rapid HIV Testing Study Group

Medical Care



¹Referrals for those who are confirmed to be infected with HIV.

²Patients are referred here if they are eligible to receive care at Denver Health and if their CD4 count >200 cells/mm³.

³Patients are referred here if they are eligible to receive care at Denver Health and if their CD4 count ≤200 cells/mm³ or if they have been diagnosed with AIDS.

⁴Patients are referred here if they are not eligible to receive care at Denver Health.

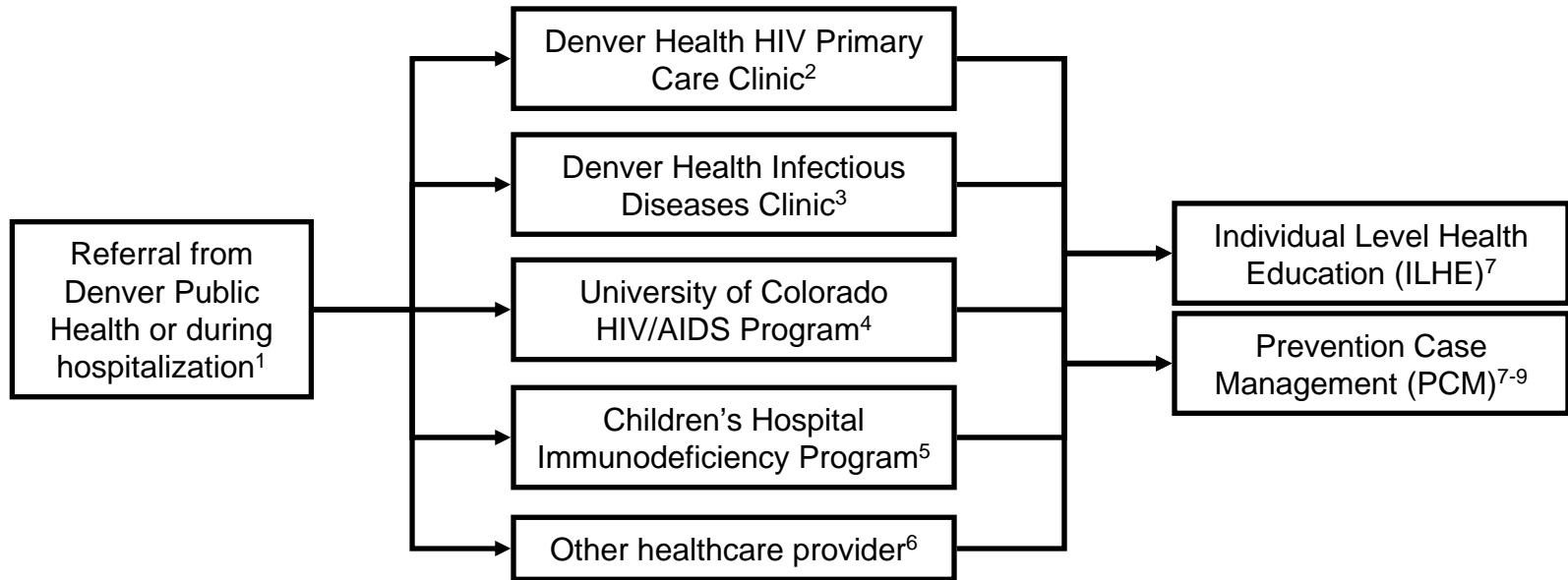
⁵Patients are referred here if they are ≤24 years or pregnant.

⁶Patients are referred here if they live in another geographical region or have an established primary care provider.

Improving Identification of Patients Infected with HIV Using Rapid Testing in the Emergency Department: A Systems-Based Approach

Denver Emergency Department Rapid HIV Testing Study Group

Preventative Care



¹Referrals for those who are confirmed to be infected with HIV.

²Patients are referred here if they are eligible to receive care at Denver Health and if their CD4 count >200 cells/mm³.

³Patients are referred here if they are eligible to receive care at Denver Health and if their CD4 count ≤200 cells/mm³ or if they have been diagnosed with AIDS.

⁴Patients are referred here if they are not eligible to receive care at Denver Health.

⁵Patients are referred here if they are ≤24 years or pregnant.

⁶Patients are referred here if they live in another geographical region or have an established primary care provider.

⁷Multiple components aimed primarily at behavioral risk reduction and health education.

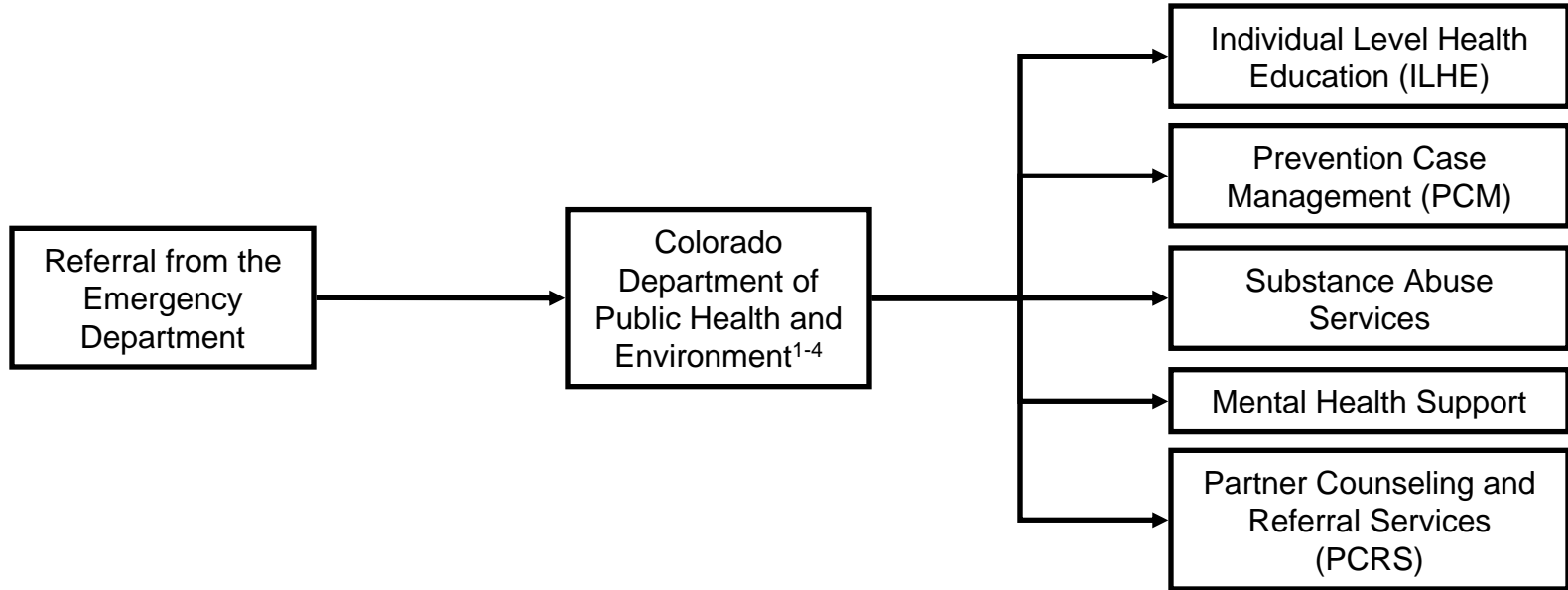
⁸Multiple components aimed primarily at promoting and reinforcing safer behavior.

⁹Multiple components aimed primarily at increasing the proportion of people infected.

Improving Identification of Patients Infected with HIV Using Rapid Testing in the Emergency Department: A Systems-Based Approach

Denver Emergency Department Rapid HIV Testing Study Group

Preventative Care



¹This occurs in parallel with the preventative care provided on Page 5.

²Multiple components aimed primarily at behavioral risk reduction and health education.

³Multiple components aimed primarily at promoting and reinforcing safer behavior.

⁴Multiple components aimed primarily at increasing the proportion of people infected with HIV and their partners who are linked to appropriate prevention care and treatment services.